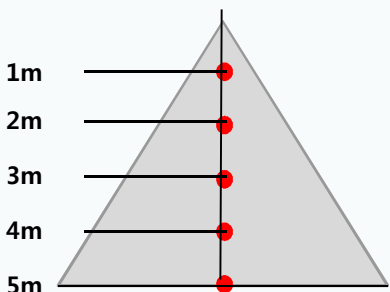


## 01 Electrical Characteristics

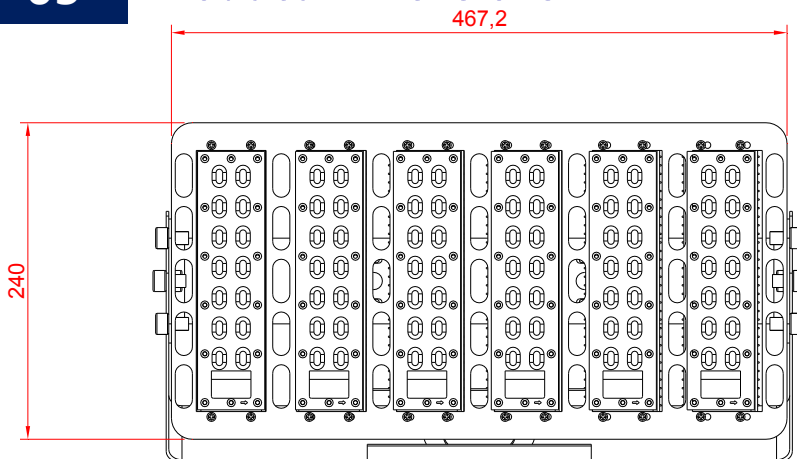
| Description        | Min. | Typ.  | Max. | Unit | Remark |
|--------------------|------|-------|------|------|--------|
| AC input Wattage   |      | 200   |      | W    | ±10%   |
| AC input voltage   | 100  | 220   | 240  | VAC  | -      |
| AC input vibration |      | 50/60 |      | Hz   | -      |
| Power Factor       |      | 0.9<  |      | PF   | -      |
| Lamp Wattage       |      | 180   |      | W    | ±10%   |
| Efficiency         |      | 90    |      | %    |        |



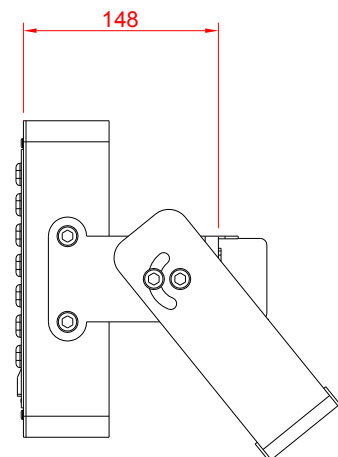
## 02 Optical Characteristics

| Description   | Tolerance               | 5,000K       |
|---|-------------------------|--------------|
|   |                         | ± 500        |
| Luminous flux (lm)  | Min                     | 20,400       |
| Luminous efficiency (lm/W)  | Min                     | 102          |
| CRI(Ra)   | Min                     | 75<          |
| Beam Angle(°)   | Typ.                    | 114°         |
| Weight (kg)   | ± 5%                    | 7.5          |
|  | 1m                      | <b>4,016</b> |
|   | 2m                      | <b>1,004</b> |
|   | 3m                      | <b>446</b>   |
|   | 4m                      | <b>251</b>   |
|   | Luminous Intensity (lx) | 5m           |

## 03 Product Dimensions



Side View



Top View