

01 Electrical Characteristics

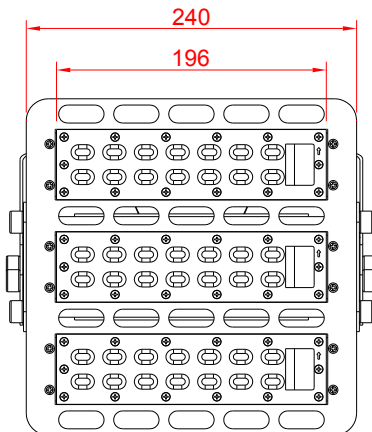
Description	Min.	Typ.	Max.	Unit	Remark
AC input Wattage		100		W	±10%
AC input voltage	100	220	240	VAC	-
AC input vibration		50/60		Hz	-
Power Factor		0.9<		PF	-
Lamp Wattage		90		W	±10%
Efficiency		90		%	



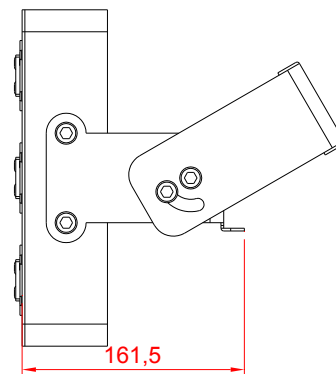
02 Optical Characteristics

Description	Tolerance	5,000K
		± 500
Luminous flux (lm)	Min	10,500
Luminous efficiency (lm/W)	Min	105
CRI(Ra)	Min	75<
Beam Angle(°)	Typ.	114°
Weight (kg)	± 5%	5.1
	1m	2,008
	2m	502
	3m	222
	4m	134
	5m	80
Luminous Intensity (lx)	5m	80

03 Product Dimensions



Side View



Top View