

## 01 Electrical Characteristics

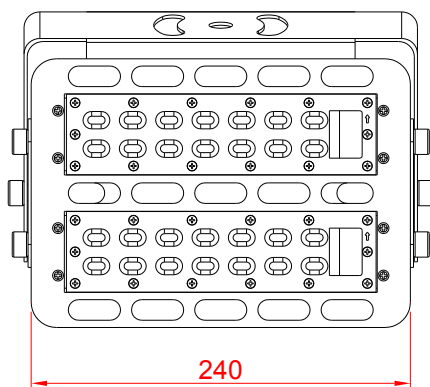
Description	Min.	Typ.	Max.	Unit	Remark
AC input Wattage		50		W	±10%
AC input voltage	100	220	240	VAC	-
AC input vibration		50/60		Hz	-
Power Factor		0.9<		PF	-
Lamp Wattage		45		W	±10%
Efficiency		90		%	



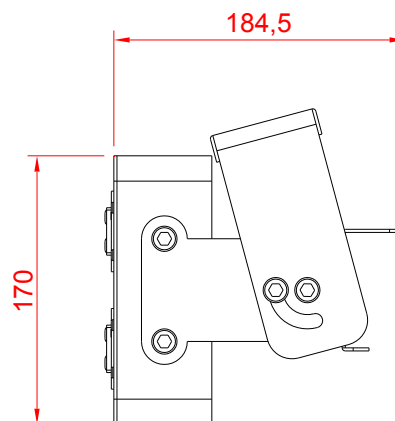
## 02 Optical Characteristics

Description	Tolerance	5,000K
		± 500
Luminous flux (lm)	Min	5250
Luminous efficiency (lm/W)	Min	105
CRI(Ra)	Min	75<
Beam Angle(°)	Typ.	114°
Weight (kg)	± 5%	3.9
	1m	<b>1,004</b>
	2m	<b>251</b>
	3m	<b>111</b>
	4m	<b>62</b>
	Luminous Intensity (lx)	5m

## 03 Product Dimensions



Side View



Top View